

# Reciprocator (ZA16)

## Vertical axis for complex application tasks

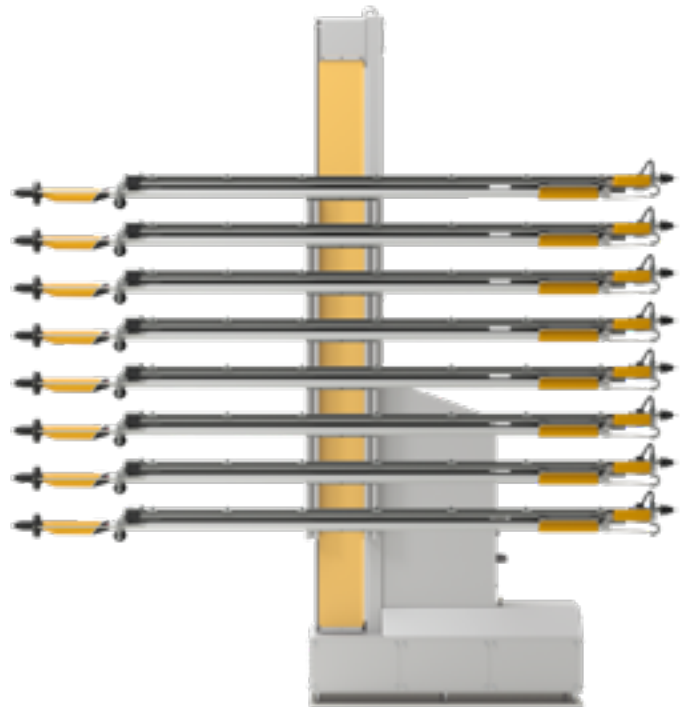
ZA16 is the powerful robust reciprocator providing a high load capacity in a space-saving design, precision movement and ease of programming. The reciprocator is designed for users who want to increase productivity or reduce manual reinforcement through improved automation while coating parts with complex geometries. ZA16 is used for Dynamic Contour Detection applications in combination with UA05 gun axes and the system control MagicControl 4.0.

### Main features:

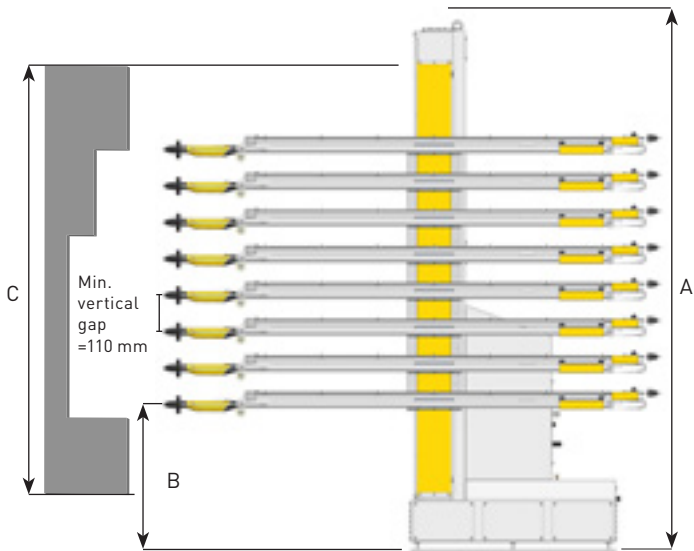
- Loading capacity for max. 8 gun axes UA05 (= 130 kg)
- Vertical gap between automatic guns 110 mm
- Long-stroke and short-stroke operation
- Extremely smooth running through toothed belt transmission

### Customer benefits:

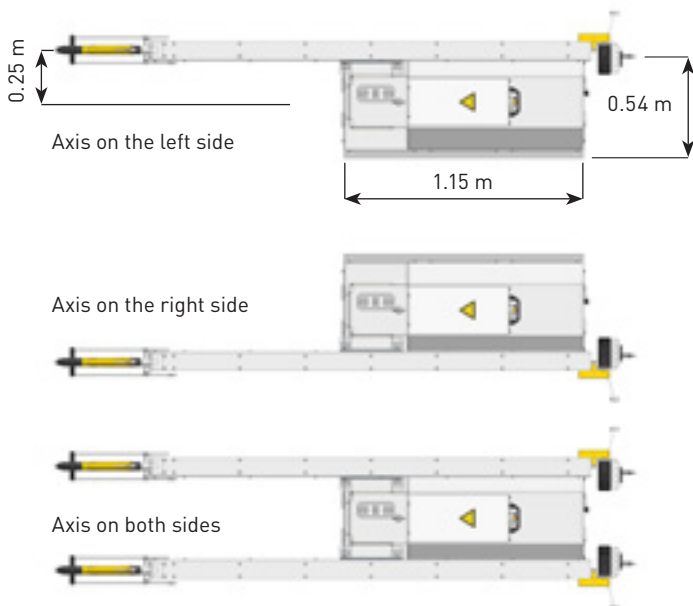
- Designed for complex application demands and difficult part geometries
- Slim column design allows space-saving arrangement of the guns
- 110 mm vertical gun spacing reduces the distance between the coating zones, maximizing the effectiveness of the individual axis coverage into recess areas
- Bus-/CAN-Bus technology integrated into the control unit for performance feedback and monitoring
- Simple graphic display on the MagicControl enables ease of adjustment and program storage



ZA16 with eight gun axes UA05



### Mounting options



## Technical data

Reciprocator	ZA16
Stroke speed	0.08 – 0.4 m/s
Acceleration	0.1 – 1.5 m/s <sup>2</sup>
Loading capacity	max. 8 gun axes UA05 (= 130 kg)
Positioning system	Incremental encoder
Voltage	3 x 400 V; 50 / 60 Hz
Temperature range	10 °C – +40 °C / 32 °F – +104 °F
ATEX Zone	CE II 3 D (ATEX Zone 22)
Motor type	Three-phase asynchronous motor
Power	1.5 kW

Reciprocator ZA16	13	18	23	28	33
Adjustable stroke	1300 mm	1800 mm	2300 mm	2800 mm	3300 mm
Total height (A)	2385 mm	2885 mm	3385 mm	3885 mm	4385 mm
Lower turnpoint (B)	450 mm	450 mm	450 mm	450 mm	450 mm
Max. object height (incl. strokes) (C)	1795 mm	2295 mm	2795 mm	3295 mm	3795 mm

### Associated system components:

- Gun axis UA05:  
Min. vertical gap: 110 mm, mechanically adjustable
- Automatic gun OptiGun GA04-X
- MagicControl 4.0 system control

Gema Switzerland reserves the right to make technical changes without prior notice!

### Gema Switzerland GmbH

Sommeraustrasse 5 | 9200 Gossau | Switzerland  
T +41 71 313 83 00 | www.gemapowdercoating.com

